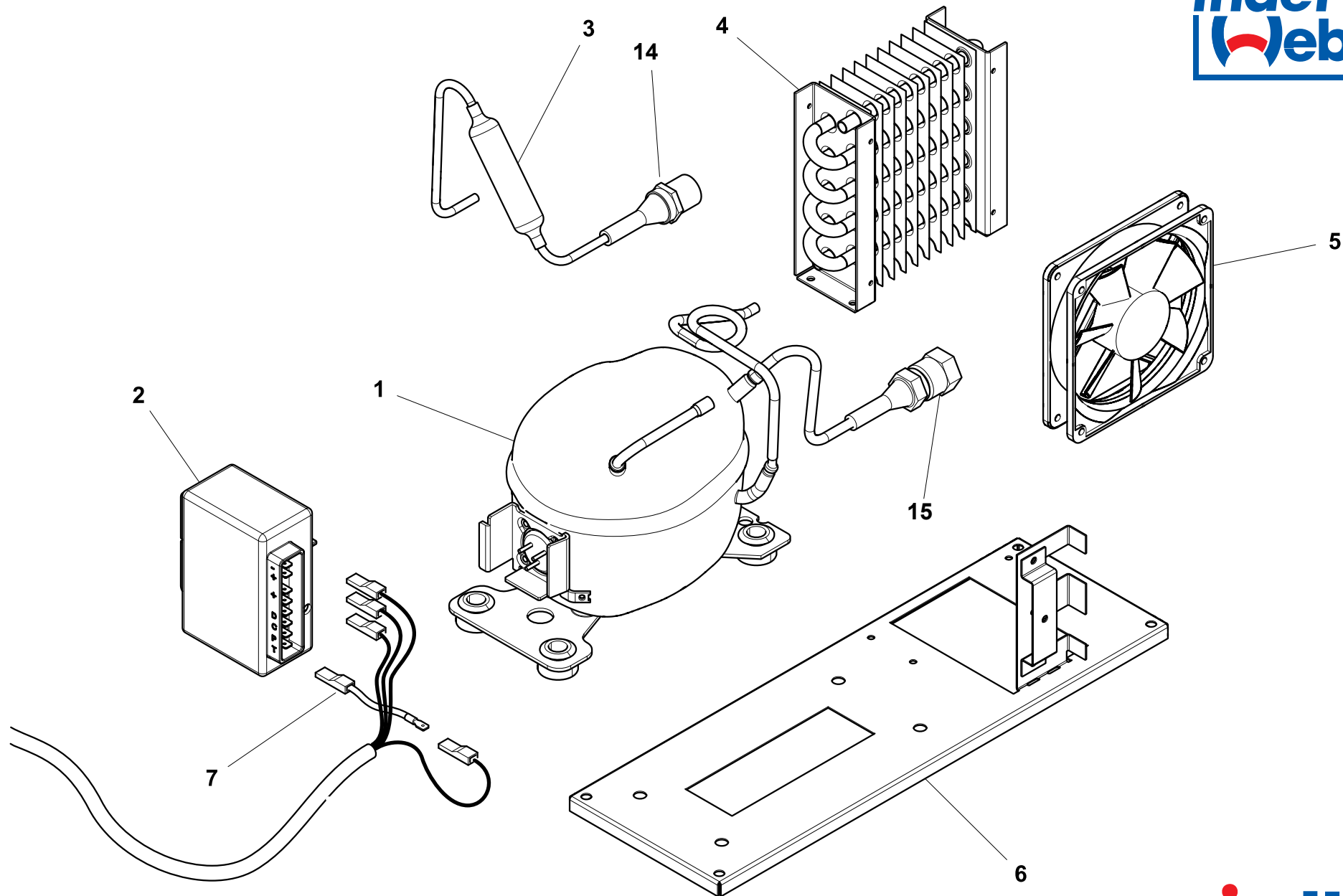


VE150 - CONDENSER UNIT



VE150 - COMPRESSOR UNIT

NUMERO NUMBER	CODICE ARTICOLO ITEM CODE	DESCRIZIONE ARTICOLO ITEM DESCRIPTION
1	SBA00002DA	COMPRESSORE BD35F SENZA CENTRALINA DANFOSS COMPRESSOR BD35F 12/24V NO ELECTRICAL UNIT
2	SEG00002DA	CENTRALINA DANFOSS 101N0210 BD35/50F 12/24V ELECTRICAL UNIT DANF. 101N0210 BD35/50F 12/24V
2	SEG00030GA	CENTRALINA DANFOSS B35F/BD50F AC/DC 12/24V-115/230V ELECT. UNIT DANFOSS BD35F/50FAC/DC 12/24V-115/230V
3	SBD00026AA	FILTRO 10gr 2V XH7 PER R134A Ø19mm foro in-out 5,0-5,1 FILTER 10gr Ø 19mm in-out 5,0-5,1
4	SBD00119AA	CONDENSATORE LAMELLARE PER VE150 LAMELLAR CONDENSER FOR VE150
5	SBG00005BA	VENTOLA CABLATA 12V LOW SPEED FAN 12V LOW SPEED FOR COMPACT AND CRUISE
6	SBE00172AA	BASAMENTO INOX PER VE150 BOTTOM PLATE INOX FOR VE150
7	SEE00041DA	KIT RESISTENZA BIANCA 2500 RPM KIT RESISTANCE WHITE 2500 RPM
8	SEA00093AA	MANOPOLA TERMOSTATO CRUISE 49/65/85/130 DR49/55/65 C. THERMOSTAT KNOB CRUISE 49/65/85/130 DR49/55/65C.
9	SGC00287AA	COPERCHIO SUPERIORE PLASTICA BIANCA PER VE150 WHITE PLASTIC UPPER LID FOR VE150
10	SBG00033DA	VENTOLA 12V 60x60x25mm CABLATA + FASTON PER EASY COOL FAN 12V 60x60x25mm + FASTON FOR EASY COOL
11	SBF00108AA	EVAPORATORE COMPLETO UNITA REFRIGERANTE VE150 COMPLETE EVAPORATOR FOR VE150 REFR. UNIT
12	SEA00118AA	TERMOSTATO DANFOSS PER VE150 THERMOSTAT DANFOSS VE150
13	SGC00288AA	COPERCHIO INFERIORE PLASTICA BIANCA PER VE150 WHITE PLASTIC LOWER LID FOR VE150
14	SBD00035AA	GIUNTO QUICK 060M5 MASCHIO CON TAPPO QUICK COUPLING 060M5 MALE WITH CAP
15	SBD00034AA	GIUNTO QUICK 060F5 FEMMINA CON TAPPO QUICK COUPLING 060F5 FEMALE WITH CAP