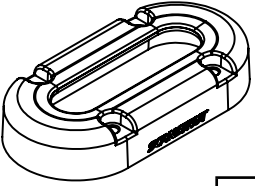
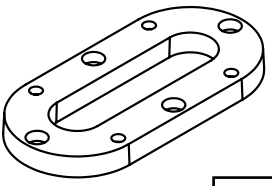
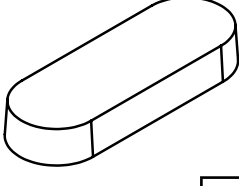
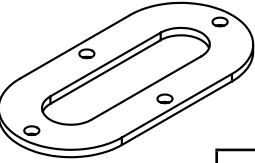
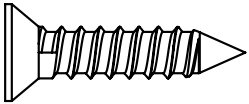
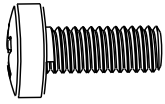



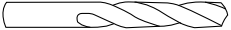
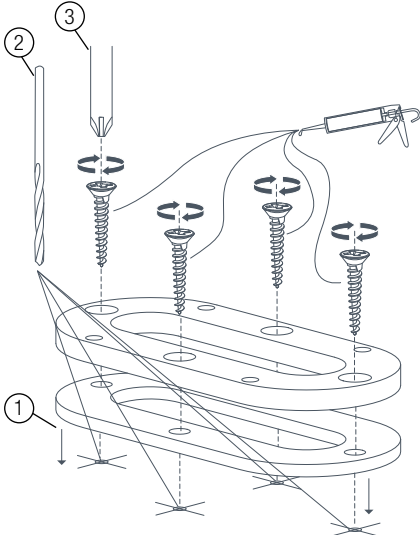


Parts List

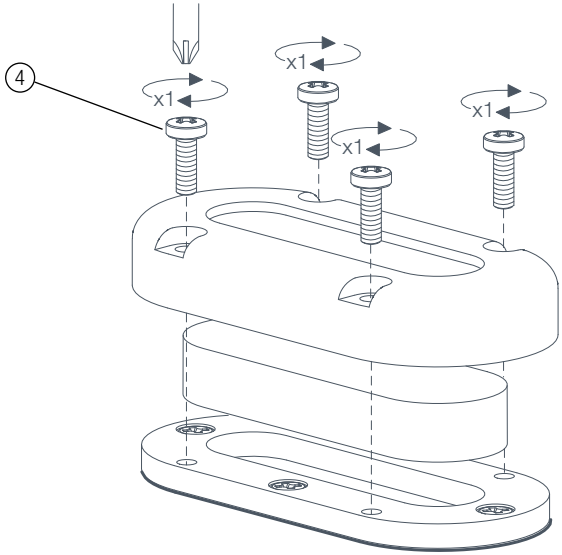
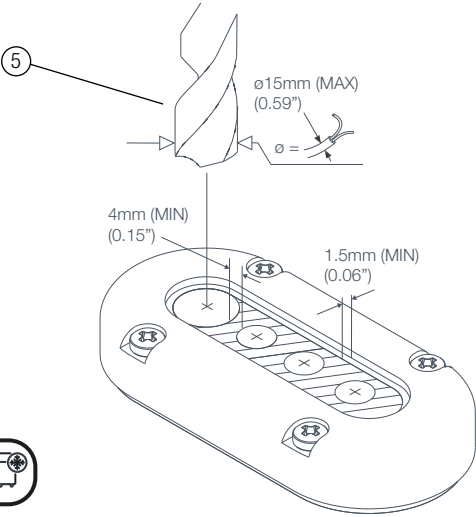
		
Top x1	Base x1	Bung x1
		
Gasket x1	No.6 x 19mm Screw x4	Black M4 x 15mm Bolt x4

Tools Required

	
Pozi Screwdriver	Silicone
	
ø2.5mm (3/32") ø3mm (1/8") Drill Bit	Required Cable Hole Drill Sizes Max. ø15mm (19/32")



Material	Drill	Fixing
Soft Material e.g. plywood	2.5mm (3/32")	No.6 Screw (Included)
Hard Material e.g. fiberglass, hardwoods, acrylics	3mm (1/8")	
Metal e.g. Steel, aluminium	4mm (1/8")	Recommended >M4 x 12mm Countersunk Bolt with washer and Nyloc (Not included)

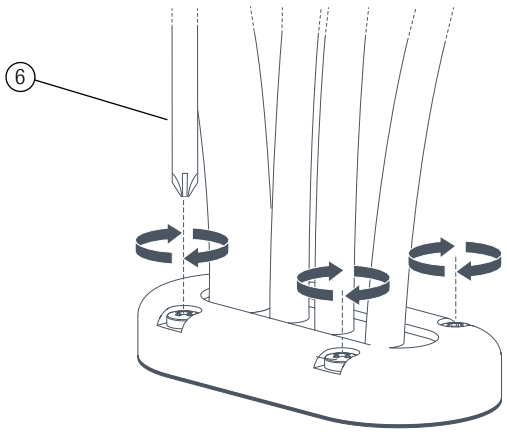
ø15mm (MAX) (0.59")

4mm (MIN) (0.15")

1.5mm (MIN) (0.06")

-18°

Tip - freeze bung before drilling



UK & International
+44 (0)1392531280
sales@scanstrut.com

For further installation
and warranty information
please visit:
www.scanstrut.com

USA
+1 860 308 1416
usasales@scanstrut.com