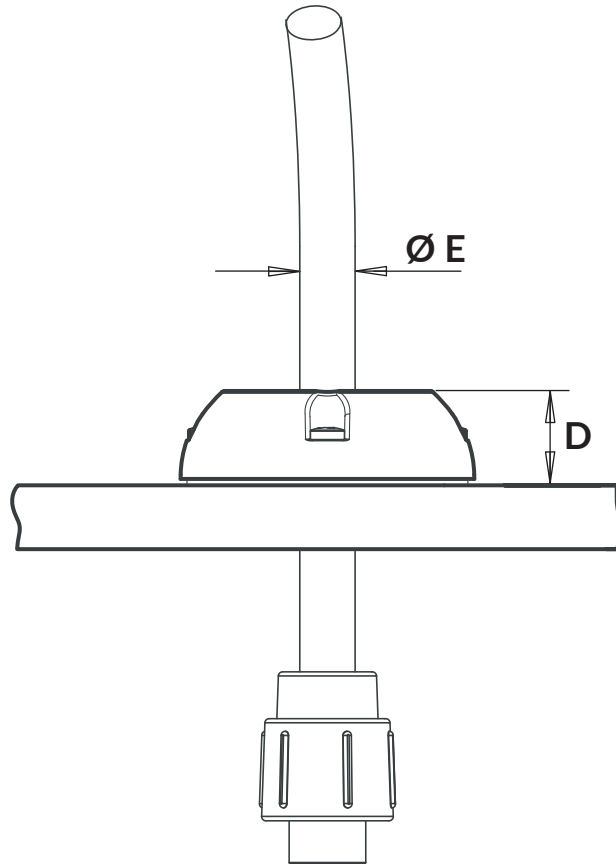
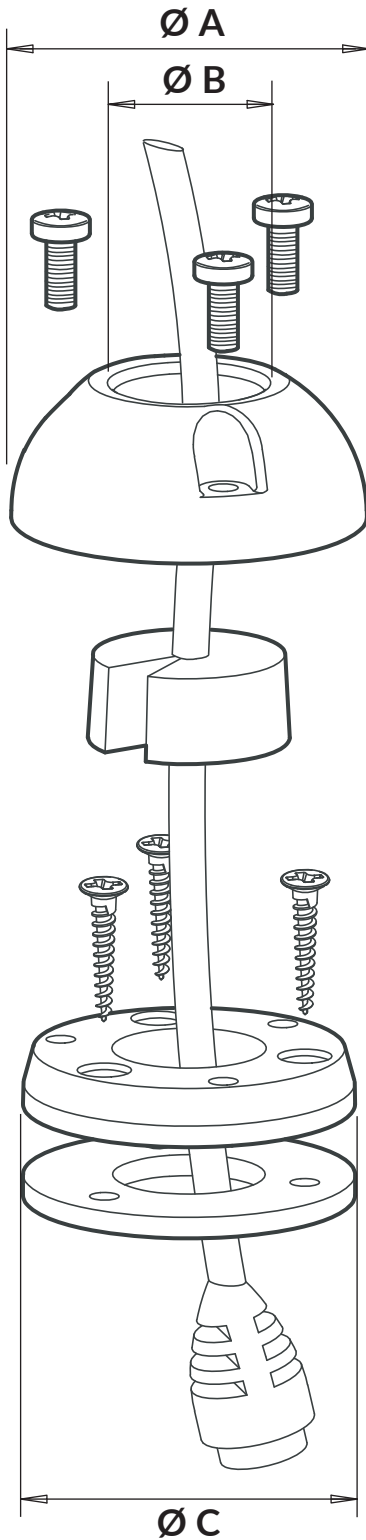


# Cable Seals

For help & information  
 email: sales@scanstrut.com  
 tel: +44 (0) 1392 531280



	A mm / inches	B mm / inches	C mm / inches	D mm / inches	E mm / inches
DS6	30/1.18	6/0.24	27.0/1.06	17/0.67	2-6/0.08-0.24
DS16	39/1.53	16/0.63	36.5/1.44	19/0.75	2-8/0.08-0.31
DS21A	49/1.93	21/0.83	45.7/1.8	20.5/0.81	14-9/0.17-0.31
DS21B	49/1.93	21/0.83	45.7/1.8	20.5/0.81	9-14/0.35-0.55
DS30	59/2.32	30/1.18	56/2.2	20.5/0.81	9-14/0.35-0.55
DS40	69/2.72	40/1.57	66/2.6	21.7/0.85	12-15/0.4-0.59

Please note: When ordering your Deck Seal please specify -S for Stainless steel and -P for Plastic.  
 e.g. DS16-P

Bung dimensions for different models (included in the package)

2/0.083/0.12 4/0.165/0.206/0.24 7/0.288/0.319/0.3510/0.3911/0.4312/0.4613/0.51 NO HOLE  
mm / inches mm / inches mm / inches mm / inches mm / inches mm / inches mm / inches mm / inches mm / inches mm / inches mm / inches mm / inches

DS6	✓	✓	✓	✓	✓								✓
DS16		✓	✓			✓							✓
DS21A			✓	✓		✓							✓
DS21B							✓		✓			✓	✓
DS30							✓		✓			✓	✓
DS40										✓			✓

Please note: ✓ = one bung