

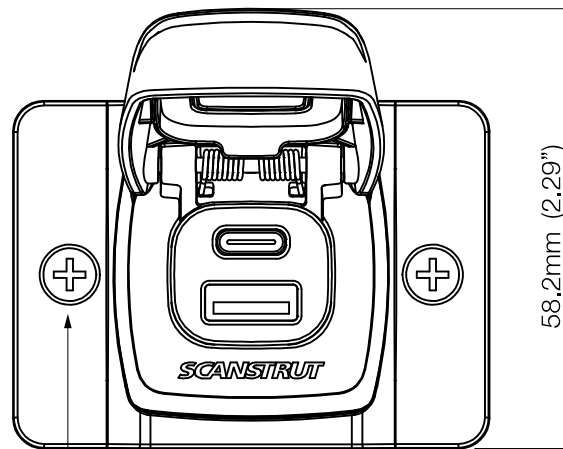
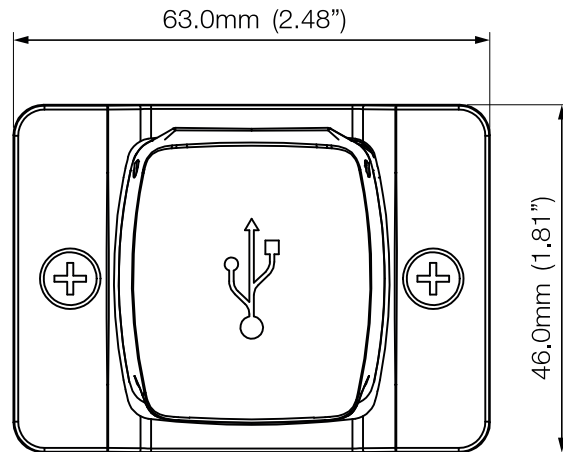
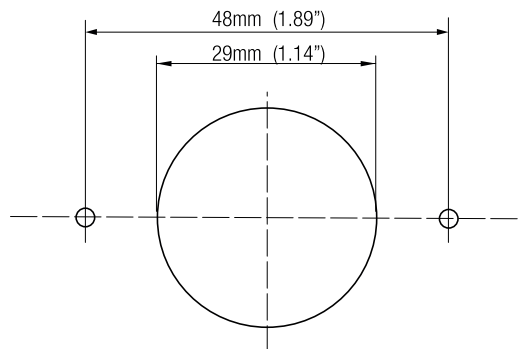
Flip Pro Fast Charge With Front Fit Bezel - **SC-USB-F2**

Email: sales@scanstrut.com Email: usasales@scanstrut.com

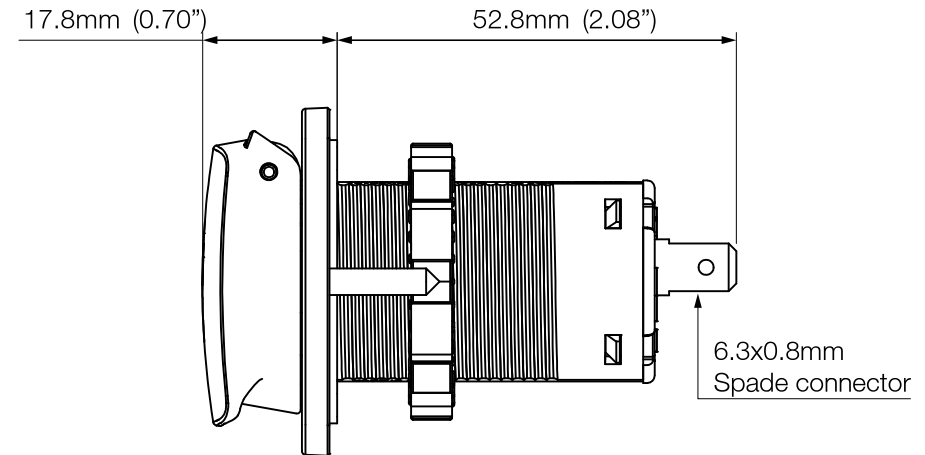
Technical info:

Input voltage 12/24V System	10-32V DC
Input current Max	6 A
Output Type C (12V System)	5V 3A, 9V 3A 12V 3A MAX
Output Type C (24V System)	5V 3A, 9V 3A 12V 3A, 15V 3A 20V 3A MAX
Output Type A Max	5V 1.5A, 9V 1.5A 12V 1.5A/3A MAX
Waterproof rating	IPX4
Standby draw	0.01W
Certification	CE, FCC, C-Tick, ROHS

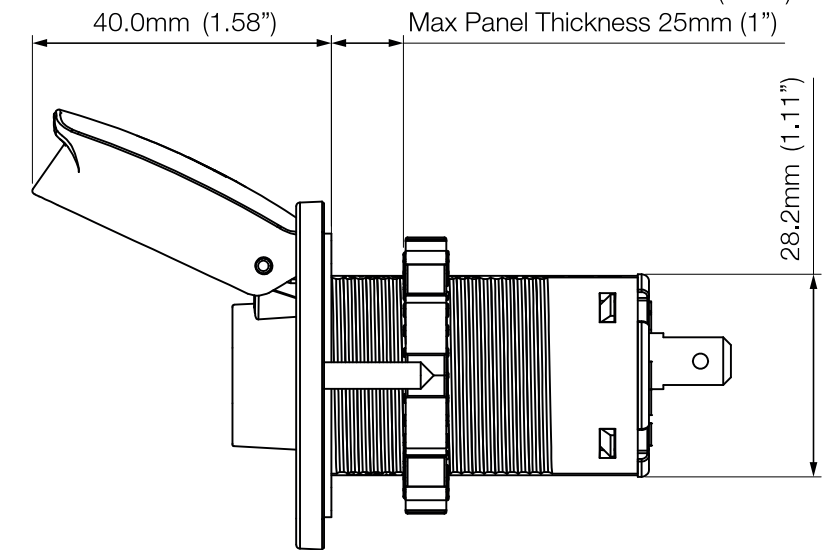
Drilling Template:



No.7 x 20mm Screw x2



Optional lock ring fitting supplied
Min Panel Thickness 3mm (0.11")
Max Panel Thickness 25mm (1")



SCANSTRUT®