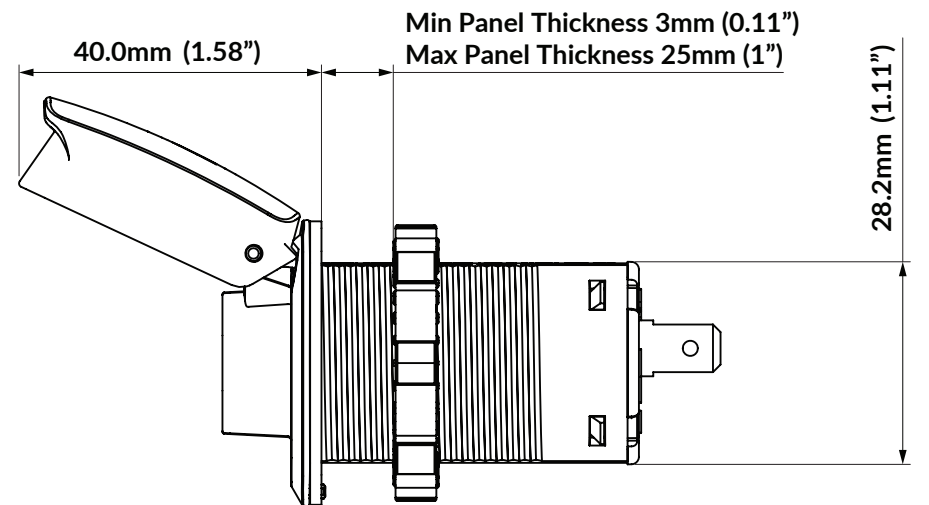
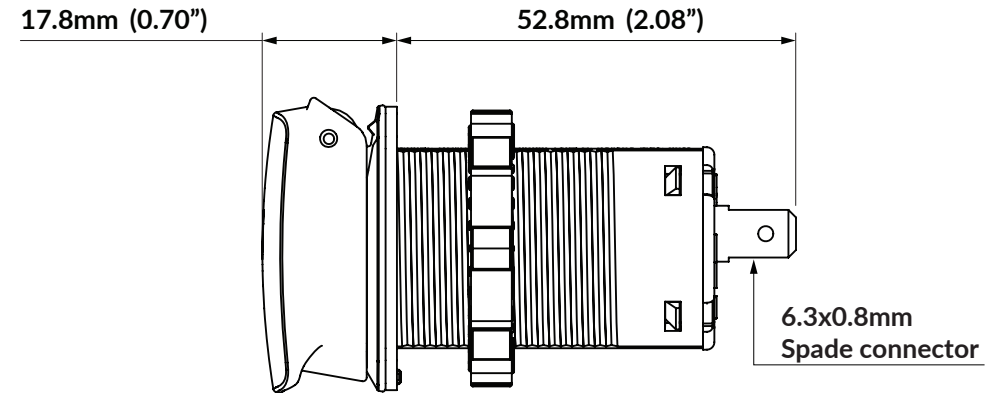
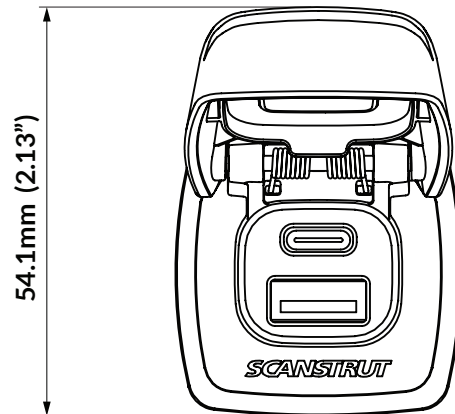
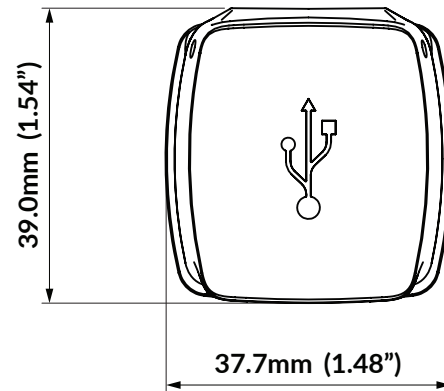


Flip Pro Fast Charge Dual USB Socket - SC-USB-F1

Email: sales@scanstrut.com Email: usasales@scanstrut.com

Technical info:

Input voltage 12/24V System	10-32V DC
Input current Max	6 A
Output Type C (12V System)	5V=3A, 9V=3A 12V=3A MAX
Output Type C (24V System)	5V=3A, 9V=3A 12V=3A, 15V=3A 20V=3A MAX
Output Type A Max	5V=1.5A, 9V=1.5A 12V=1.5A/3A MAX
Waterproof rating	IPX4
Standby draw	0.01W
Certification	CE, FCC, UKCA, C-Tick, ROHS



SCANSTRUT®