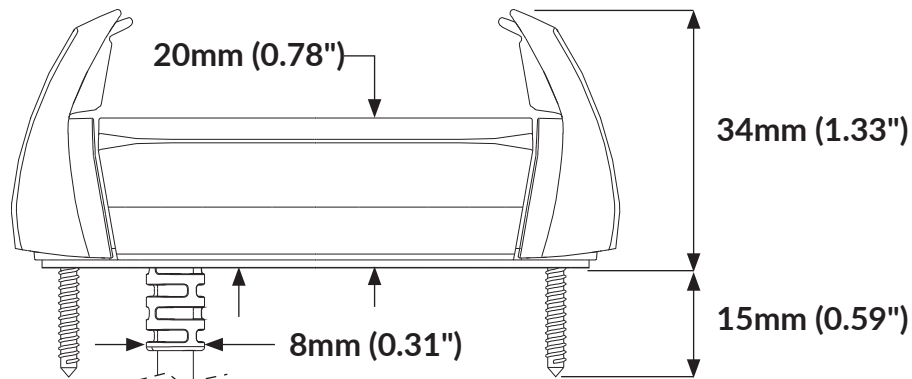
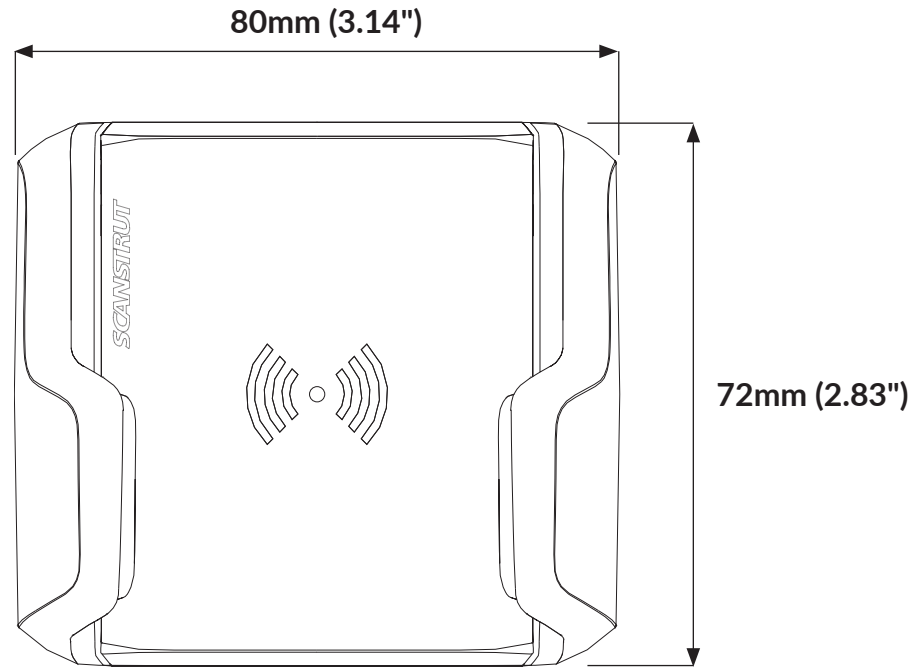


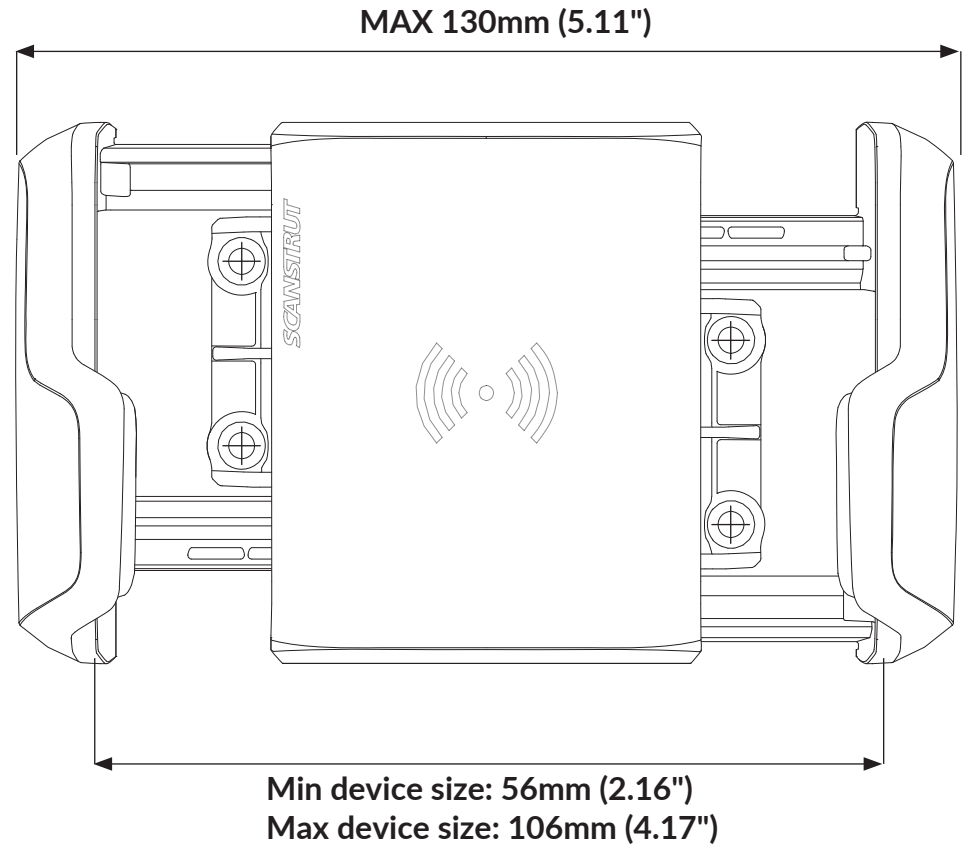
ROKK Wireless Nano 10W-SC-CW-11F

Page 1/2

For help & information
email: sales@scanstrut.com
tel: +44 (0) 1392531280



MIN 500mm (20")



Electrical Information:

Input voltage range	10-30V DC (12/24V system)
Input current max	2A
Output power max	10W (9V, 1.1A)
Standby power draw	< 0.2W
Waterproof rating	IPX6 front and back
Certifications	Qi, CE, UKCA, FCC, IC, ROHS, UNECE R10 E24, RCM, PSE

SCANSTRUT