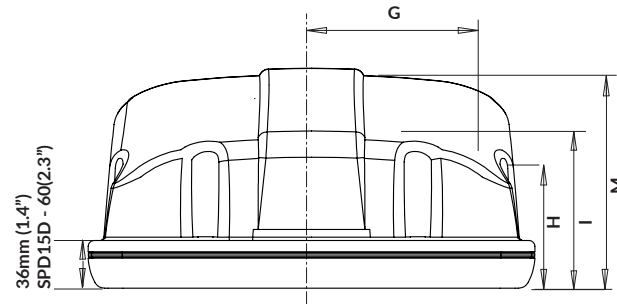
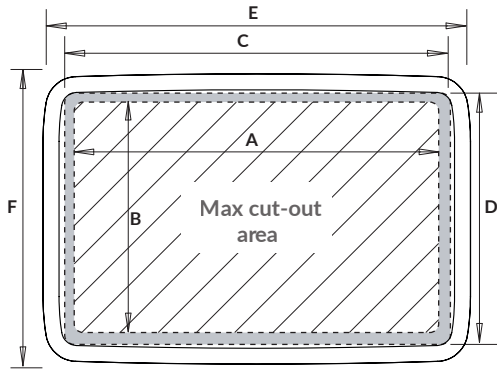
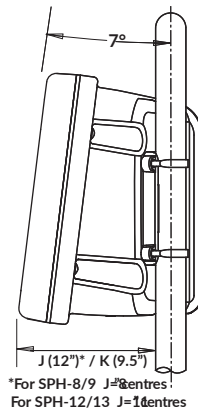
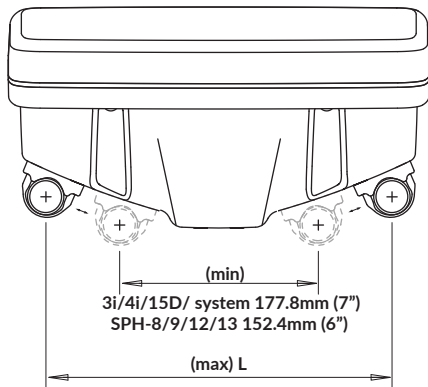


# HelmPod

For help & information  
 email: sales@scanstrut.com  
 tel: +44 (0) 1392 531280



|              | Maximum cut-out area |                  | Maximum usable face |                  | Overall dimensions |                  |
|--------------|----------------------|------------------|---------------------|------------------|--------------------|------------------|
|              | A<br>mm / inches     | B<br>mm / inches | C<br>mm / inches    | D<br>mm / inches | E<br>mm / inches   | F<br>mm / inches |
| SPH-3i-W     | 368/14.5             | 118/4.65         | 390/15.35           | 140/5.5          | 432/17             | 181/7.1          |
| SPH-4i-W     | 498/19.6             | 118/4.65         | 520/20.5            | 140/5.5          | 562/22.1           | 187/7.4          |
| SPH-8-W      | 267/10.5             | 167/6.6          | 289/11.4            | 190/7.5          | 324/12.75          | 228/8.97         |
| SPH-9-W      | 314/12.3             | 185/7.3          | 336/13.2            | 207/8.14         | 374/14.7           | 243/9.56         |
| SPH-12-W     | 332.5/13             | 227/8.9          | 354.5/14            | 244.5/9.6        | 392/15.5           | 286/11.3         |
| SPH-13-W     | 351/13.8             | 228/9.0          | 373/14.7            | 246/9.7          | 409/16.1           | 287/11.3         |
| SPH-15D-W    | 423/16.7             | 333/13.1         | 424/16.7            | 349/13.7         | 482/19.0           | 396/15.6         |
| SPH-SYSTEM-W | 541/21.              | 274/10.          | 545/21.             | 289/11.          | 600/23.            | 336/13.          |



Pedestal Guard shown has 12" centres.

\* For SPH-8/9 J=8centres  
 For SPH-12/13 J=14centres

|              | G           | H           | I           | J           | K           | L           | M           |
|--------------|-------------|-------------|-------------|-------------|-------------|-------------|-------------|
|              | mm / inches | mm / inches | mm / inches | mm / inches | mm / inches | mm / inches | mm / inches |
| SPH-3i-W     | 180/7.1     | 90/3.5      | 99/3.9      | 100/4       | 103/4.1     | 317/12.5    | 102/4.0"    |
| SPH-4i-W     | 246/9.7     | 85/3.35     | 99/3.9      | 100/4       | 103/4.1     | 406/16      | 102/4.0     |
| SPH-8-W      | 128.5/5     | 134/5.3     | 152.8/6     | 170/6.7     | N/A         | 203/8       | 167/6.6"    |
| SPH-9-W      | 150/5.9     | 111/4.4     | 145/5.7     | 152/6.0     | 165/6.5     | 304.8/12    | 167/6.6"    |
| SPH-12-W     | 170/6.7     | 109/4.3     | 145/5.7     | 205/8.1     | 165/6.5     | 280/11      | 167/6.6"    |
| SPH-13-W     | 169/6.5     | 140/5.5     | 145/5.7     | 186/7.3     | 192/7.6     | 304.8/12    | 167/6.6"    |
| SPH-15D-W    | 199/7.8     | 104/4.1     | 145/5.7     | 176/6.9     | 185/7.3     | 381/15      | 175/6.9"    |
| SPH-SYSTEM-W | 252/9.9     | 143/5.6     | 163/6.4     | 205/8.1     | 207/8.1     | 381/15      | 175/6.9"    |

\* Will fit pedestal Guards with up to 466mm (18.35") centre to centre spacing but no drilling guide provided.



**SCANSTRUT®**