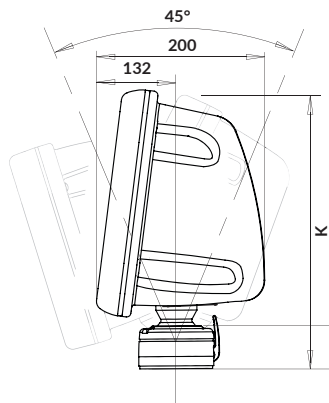
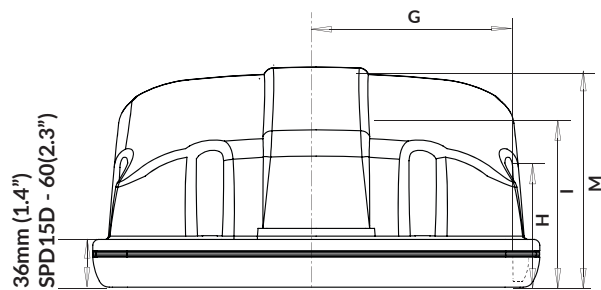
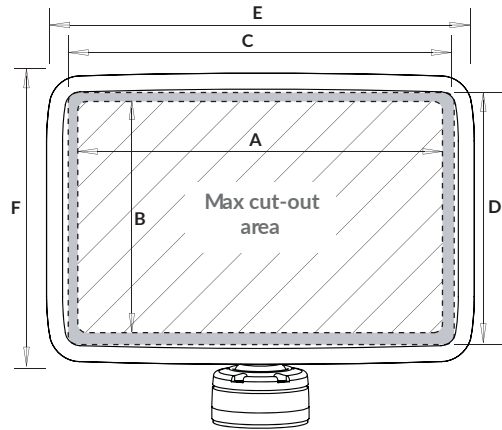
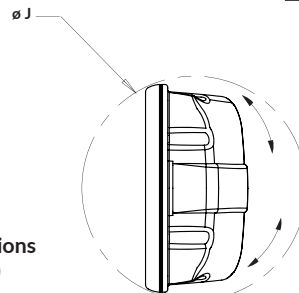


Deck Pod

For help & information
 email: sales@scanstrut.com
 tel: +44 (0) 1392 531280

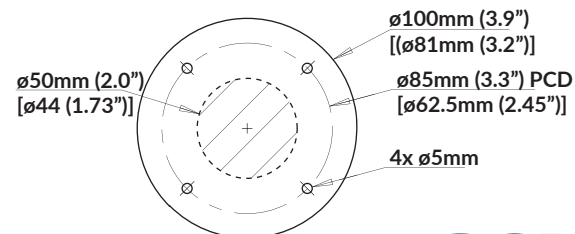


Deck Base Height
 (SPD-7/7S dimensions
 in square brackets)
 95mm (3.7")
 [67.5mm (1.73")]



| | Maximum cut-out area | | Maximum usable face | | Overall dimensions | |
|-----------|----------------------|------------------|---------------------|------------------|--------------------|------------------|
| | A mm / inches | B mm / inches | C mm / inches | D mm / inches | E mm / inches | F mm / inches |
| SPD-7S-W | 218/8.5 | 140.5/5.5 | 240/9.4 | 159/6.25 | 275/10.8 | 196/7.7 |
| SPD-7-W | 218/8.5 | 140.5/5.5 | 240/9.4 | 159/6.25 | 275/10.8 | 196/7.7 |
| SPD-8-W | 267/10.5 | 167/6.6 | 289/11.4 | 190/7.5 | 324/12.75 | 228/8.97 |
| SPD-9-W | 314/12.3 | 185/7.3 | 336/13.2 | 207/8.14 | 374/14.7 | 243/9.56 |
| SPD-12-W | 332.5/13 | 227/8.9 | 354.5/14 | 244.5/9.6 | 392/15.4 | 266/11.3 |
| SPD-13-W | 351/13.8 | 228/9.0 | 373/14.7 | 246/9.7 | 409/16.1 | 287/11.3 |
| SPD-15D-W | 423/16.7 | 333/13.1 | 424/16.7 | 349/13.7 | 482/19.0 | 396/15.6 |
| SPD-4Xi-W | 235/ 9.25 | 140/5.5 | 255/10.0 | 160/6.3 | 565/22.25 | 192/7.5 |

| | G mm / inches | H mm / inches | I mm / inches | J mm / inches | K mm / inches | M mm / inches |
|-----------|------------------|------------------|------------------|------------------|------------------|------------------|
| | SPD-7S-W | 109/4.3 | 78/3.1 | 87/3.43 | 295/11.6 | 253/10.0 |
| SPD-7-W | 111/4.3 | 108/4.25 | 136/5.35 | 295/11.6 | 253/10.0 | 144/5.7 |
| SPD-8-W | 128.5/5.0 | 134/5.3 | 152.8/6.0 | 346/13.6 | 310/12.2 | 167/6.6 |
| SPD-9-W | 150/5.9 | 111/4.4 | 145/5.7 | 407/17.3 | 367/14.4 | 167/6.6 |
| SPD-12-W | 170/6.7 | 109/4.3 | 145/5.7 | 428/16.0 | 369/14.5 | 167/6.6 |
| SPD-13-W | 182/6.5 | 104/4.1 | 145/5.7 | 448/19.1 | 404/15.9 | 167/6.6 |
| SPD-15D-W | 199/7.8 | 104/4.1 | 146/5.7 | 535/21.1 | 490/19.3 | 175/6.9 |
| SPD-4Xi-W | 271/10.7 | 80/3.1 | 159/6.25 | 577/22.7 | 271.5/10.7 | 205/8.0 |



Base Footprint
 (SPD-7/7S dimensions in square
 brackets)



SCANSTRUT®