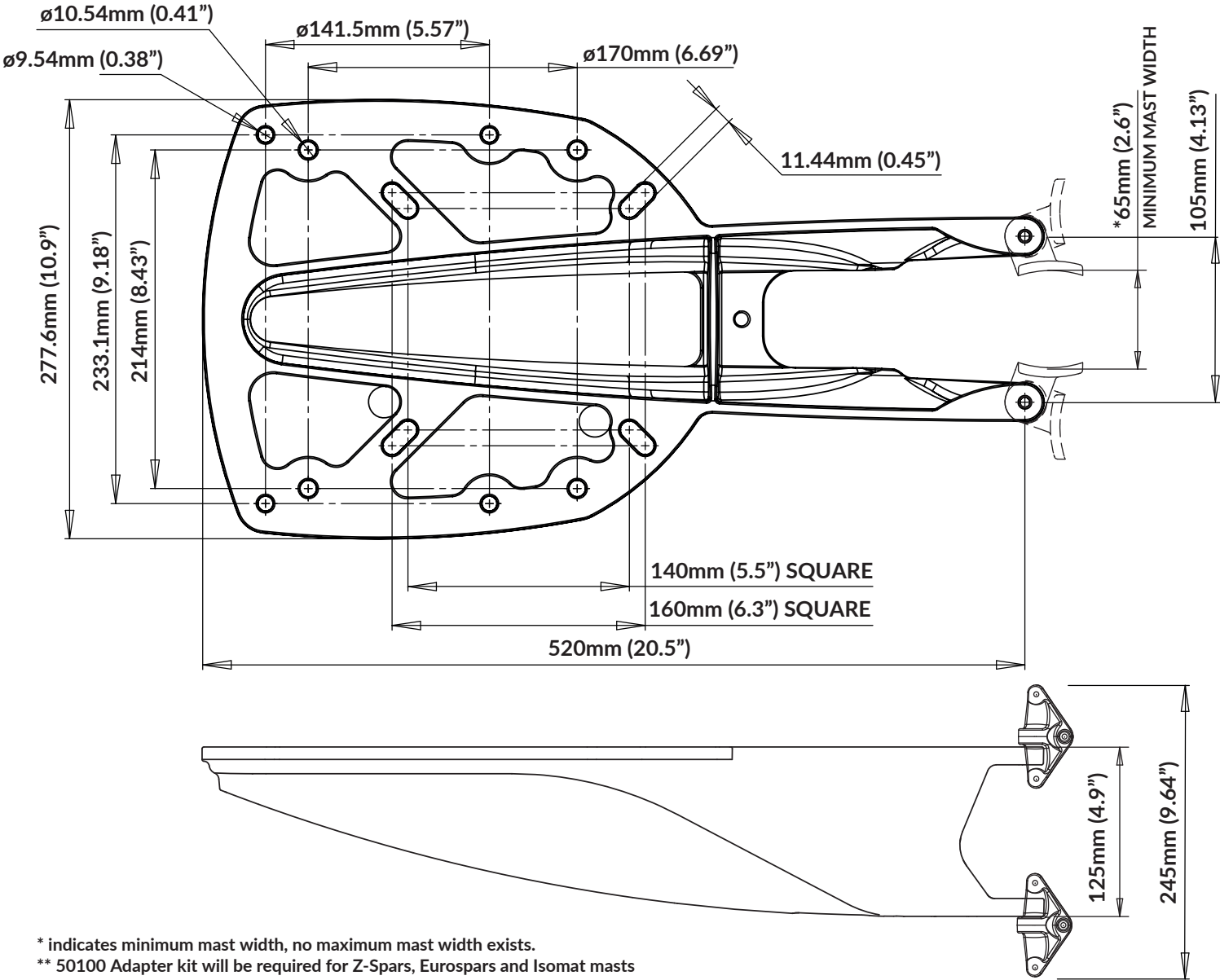


# SC21 Mast Mount Fixing Dimensions



\* indicates minimum mast width, no maximum mast width exists.  
 \*\* 50100 Adapter kit will be required for Z-Spars, Eurospars and Isomat masts

