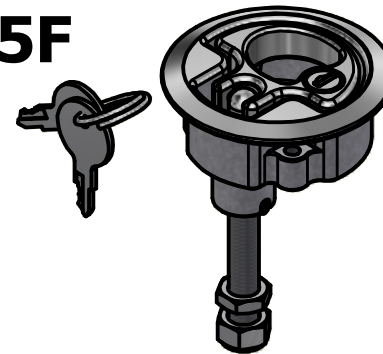
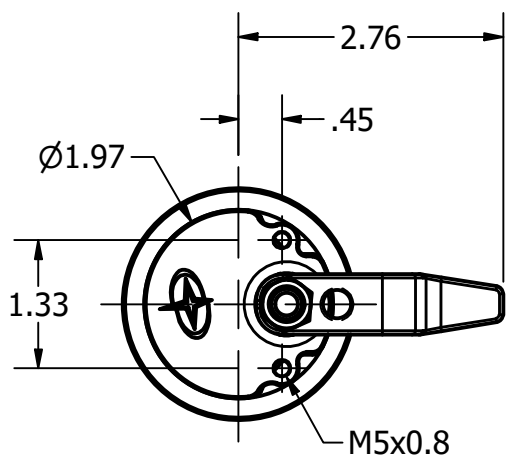
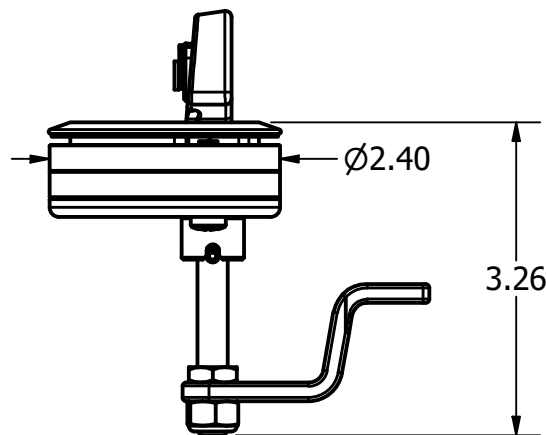
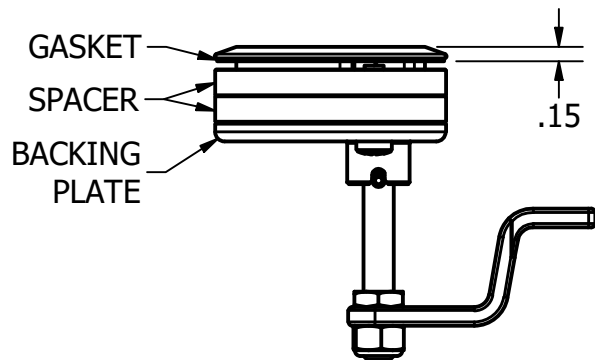
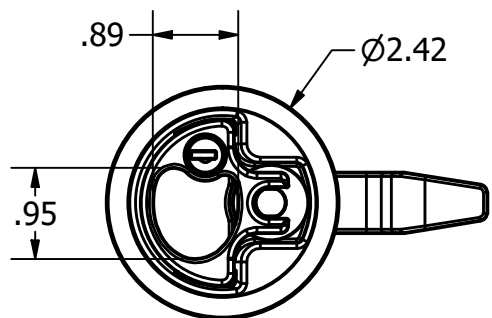


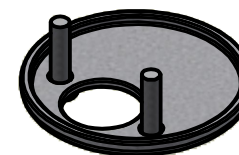
Marketing Drawing for 6024-145F



COMPRESSION LATCH WITH KEYS



SPACER (X2)
(BAGGED SEPARATELY)



BACKING PLATE & 20mm SCREWS
(BAGGED SEPARATELY)



SHORT-HIGH CAM

***NOTES**

1) SPACER NEEDED FOR INSTALLATION THICKNESS LESS THAN 0.40".

 GEMLUX®				
Description 2" COMPRESSION LATCH LOCKING, REVERSIBLE HANDLE, OFFSET CAM KIT				
Size	Part No	Units	Rev	Scale
A	6024-145F	INCHES	0	1:2
Phone: 800.874.4506			www.gemlux.com	