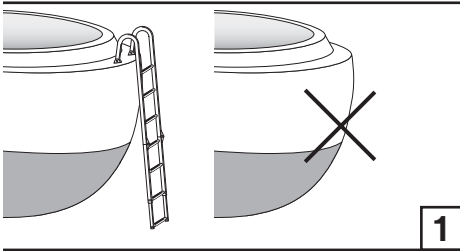
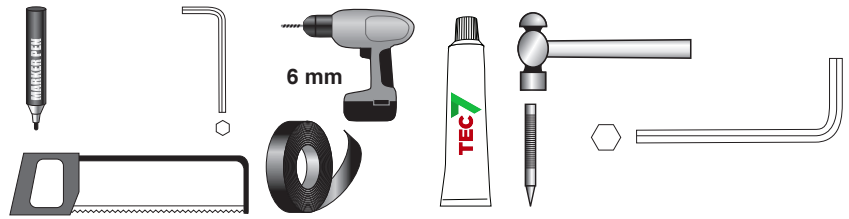


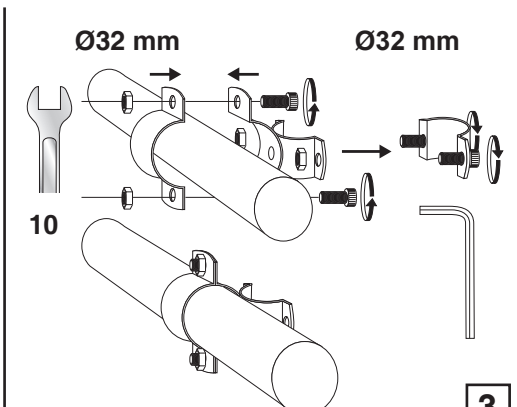
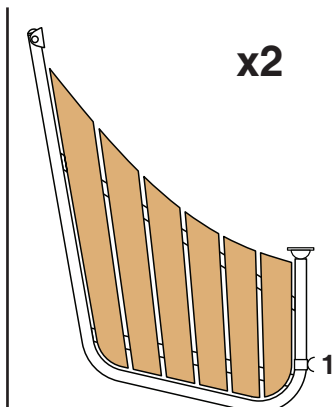
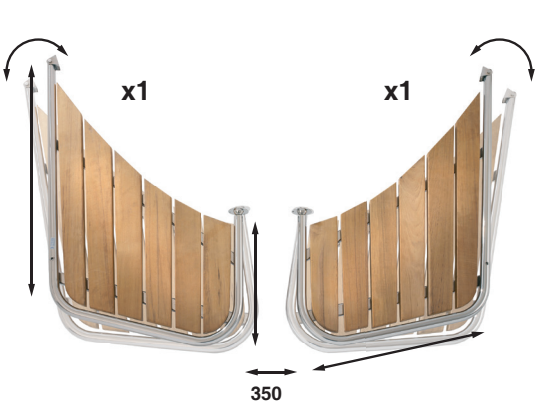
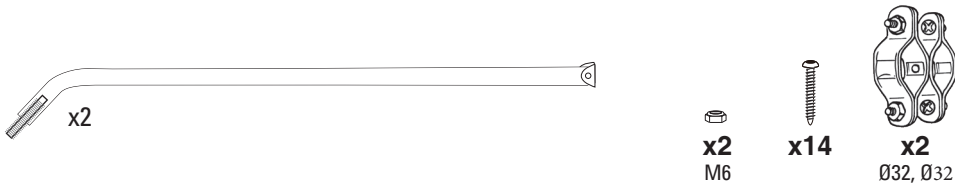
1162332 - Manual Snekke platform



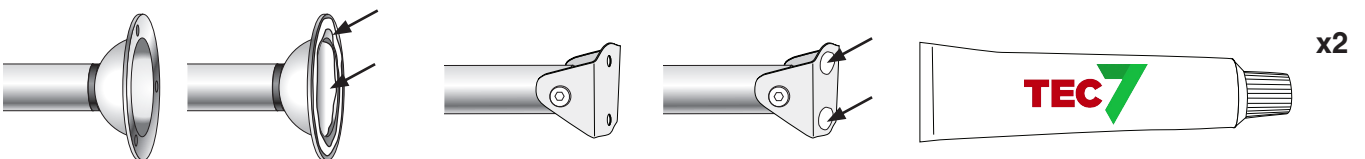
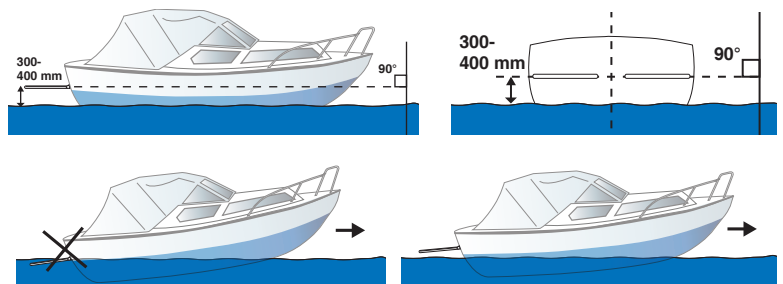
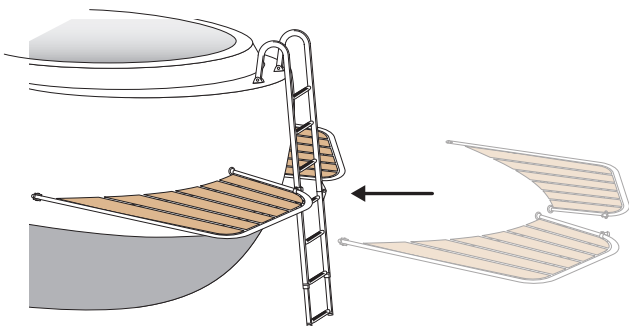
1



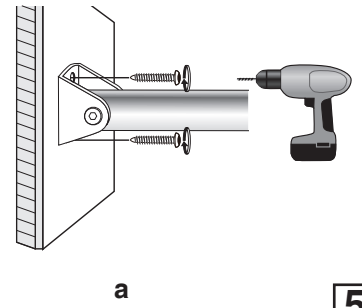
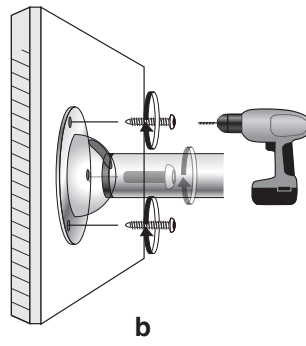
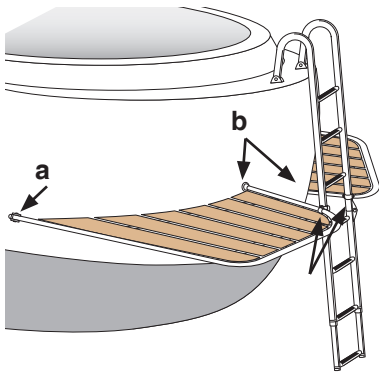
2



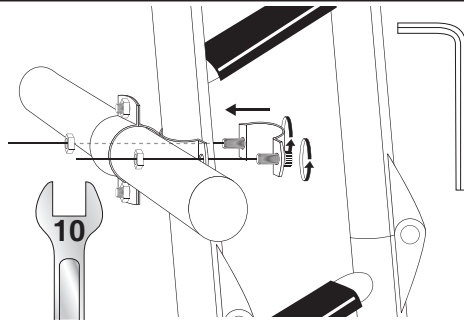
3



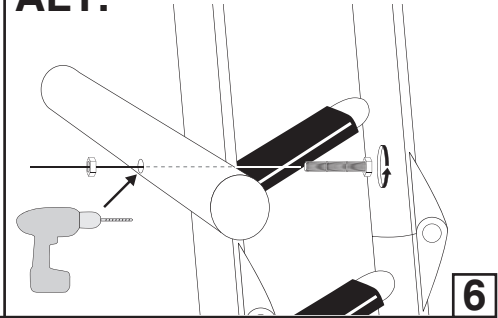
4



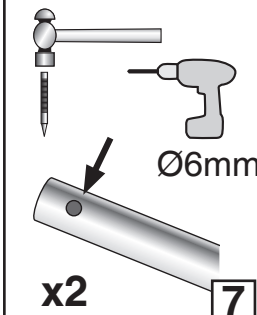
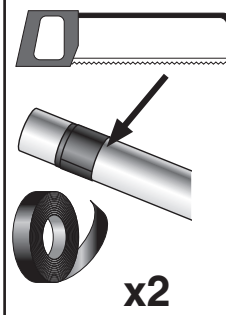
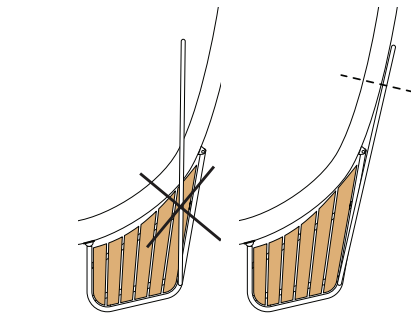
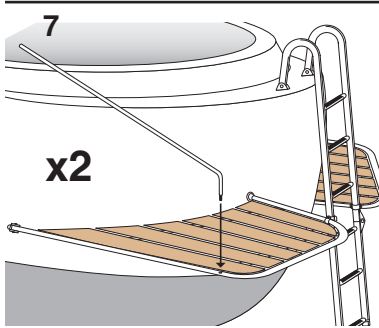
5



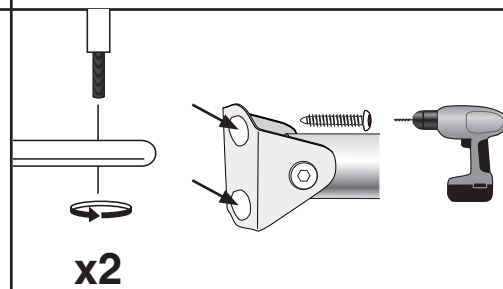
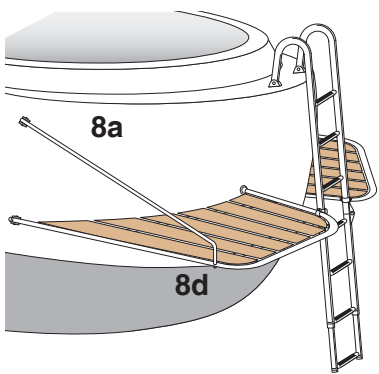
ALT.



6



7



8