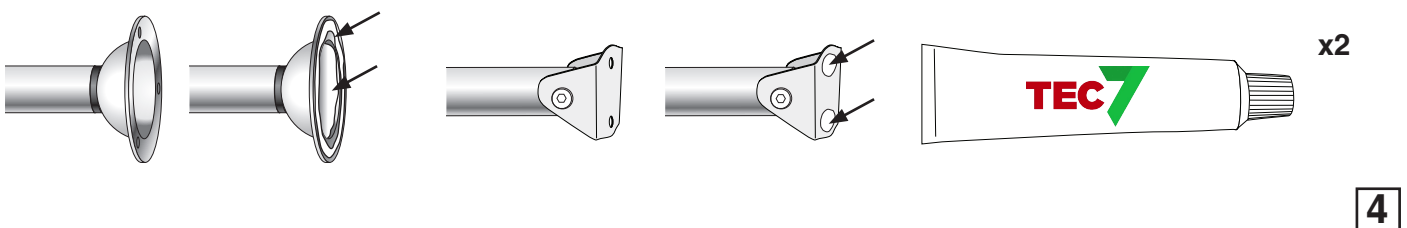
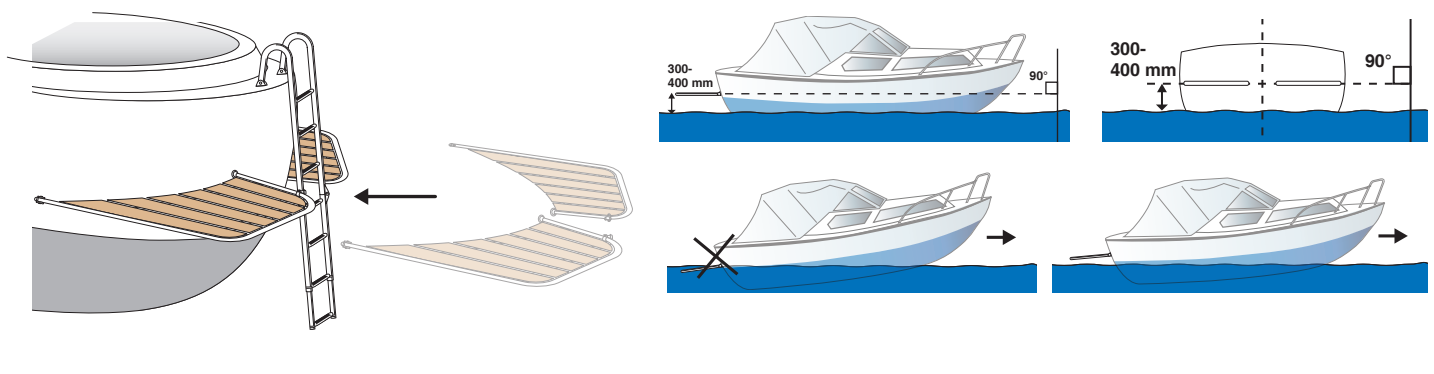
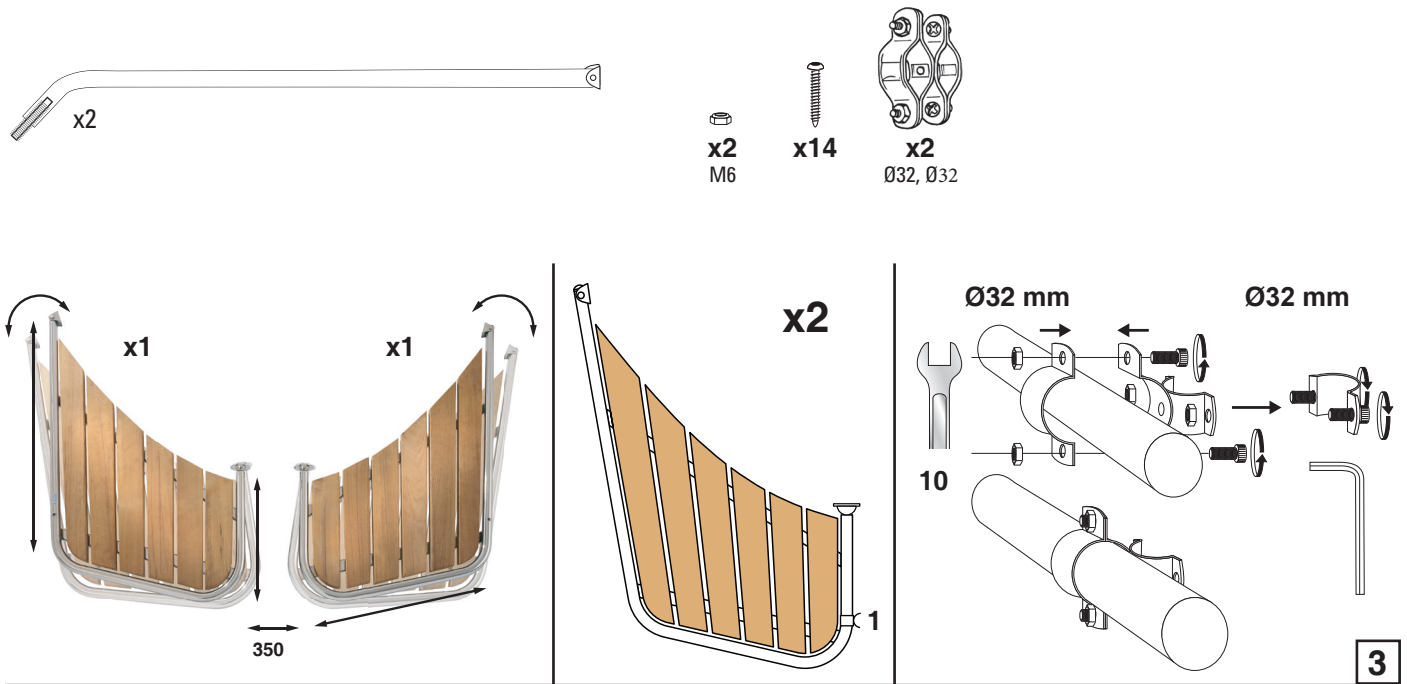
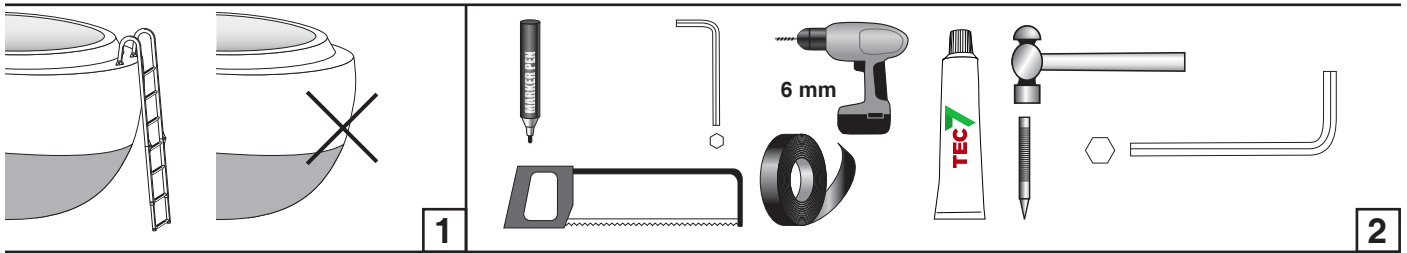
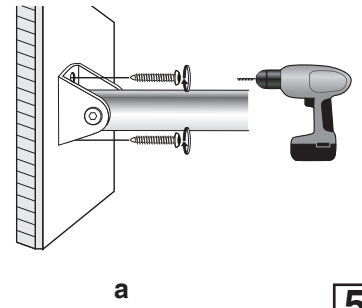
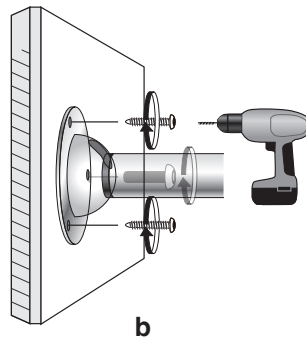
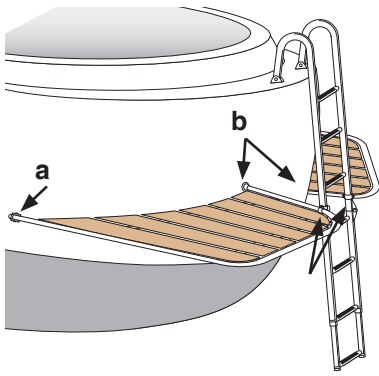
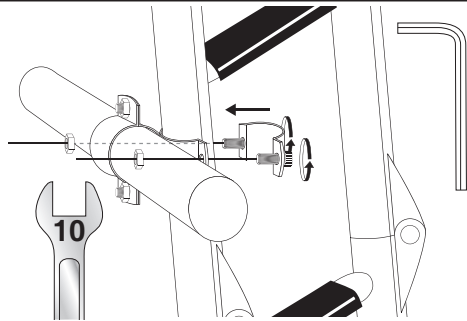


1162331 - Manual Snekke platform

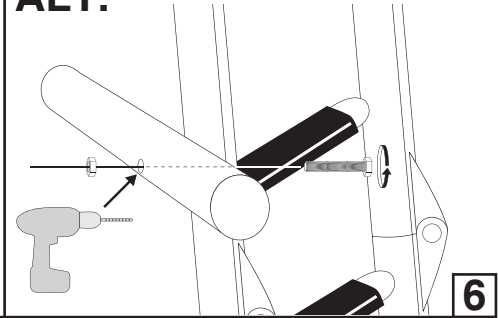




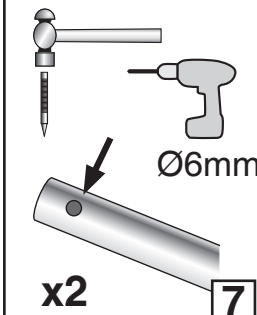
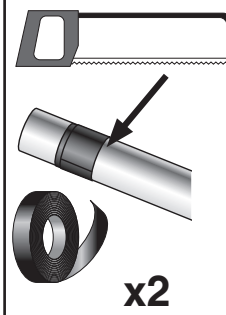
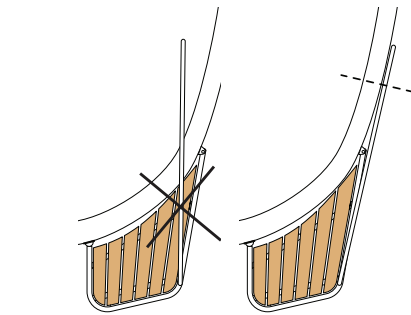
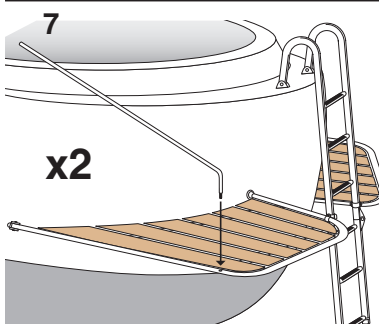
5



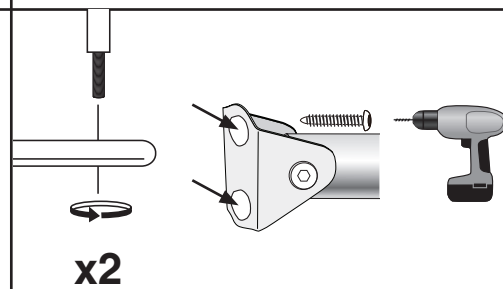
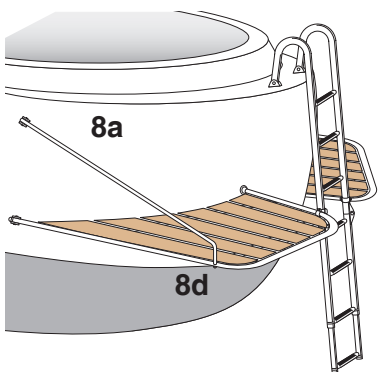
ALT.



6



7



8