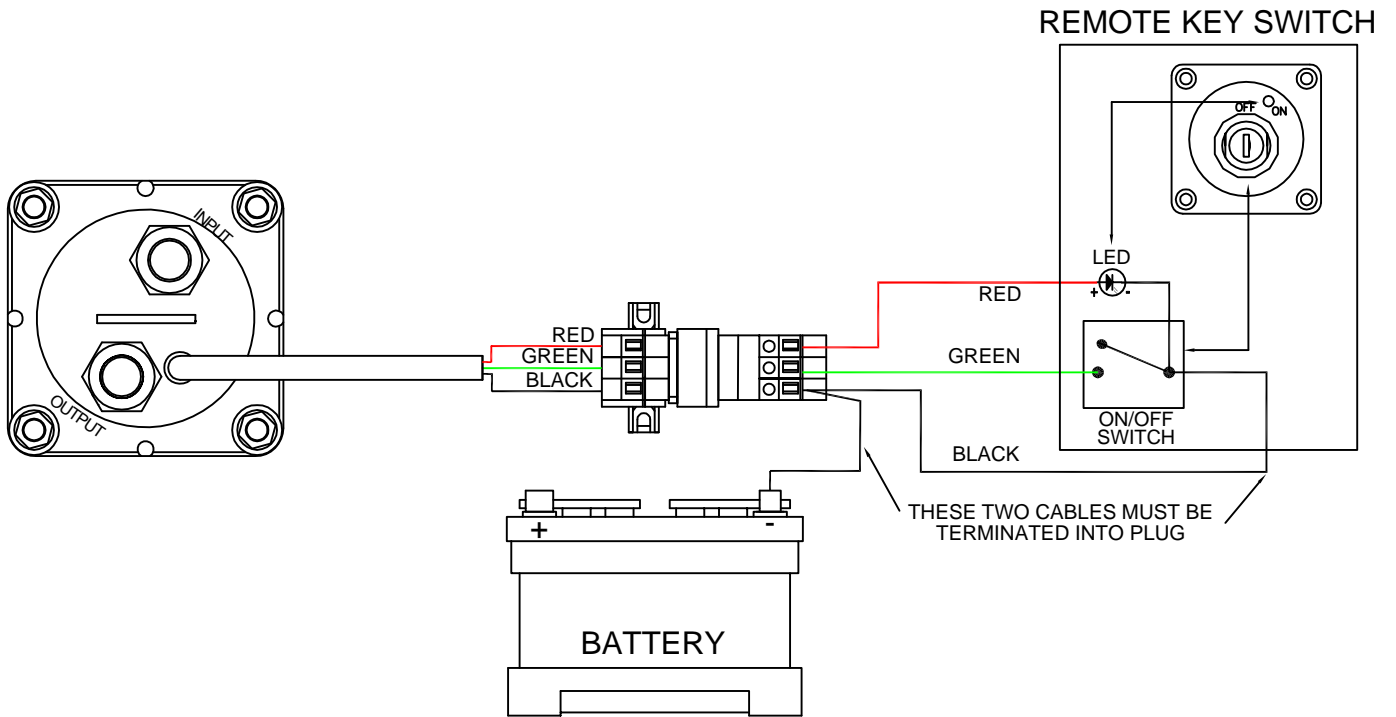
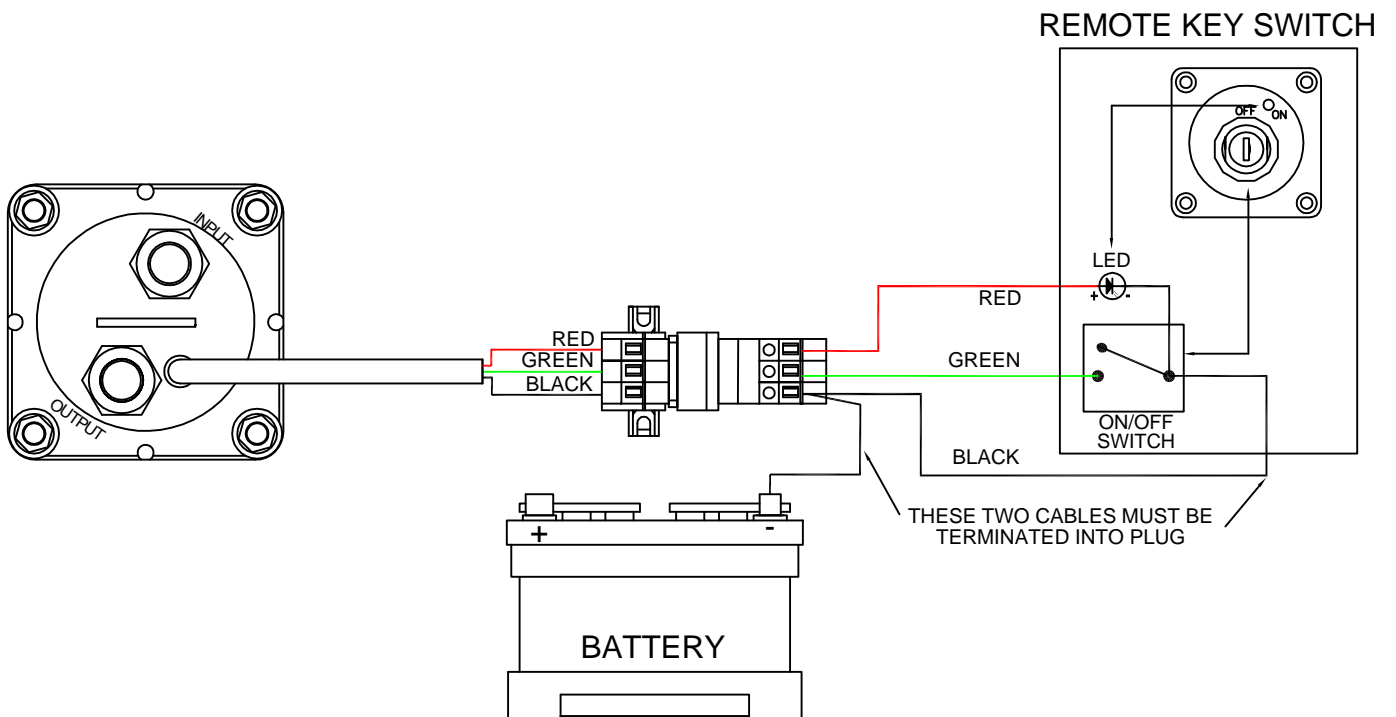


# WIRING DIAGRAM FOR 80-724-0006-00, 80724-0006-01



# WIRING DIAGRAM FOR 80-724-0006-00, 80724-0006-01





**80-724-0006-00**

**80-724-0006-01**

**Caution:**

**This product has been designed to be used with BEP Marines 7 series range of Battery Switches (722, 701MD, 720MD). For use as a remote key switch without a BEP 7 series product, please connect a resistor in series with the positive cable of the LED. Use 6800 ohms for 12V and 15000 ohms for 24V systems.**

**[WWW.BEPMARINE.COM](http://WWW.BEPMARINE.COM)**



**80-724-0006-00**

**80-724-0006-01**

**Caution:**

**This product has been designed to be used with BEP Marines 7 series range of Battery Switches (722, 701MD, 720MD). For use as a remote key switch without a BEP 7 series product, please connect a resistor in series with the positive cable of the LED. Use 6800 ohms for 12V and 15000 ohms for 24V systems.**

**[WWW.BEPMARINE.COM](http://WWW.BEPMARINE.COM)**