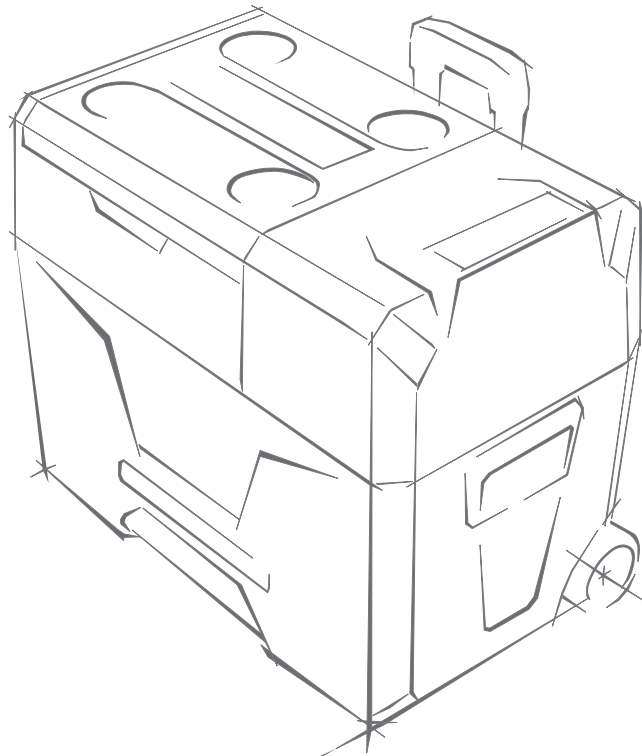


Portable Fridge

1852

MAR
INE
QUA
LITY



Model

CX30

CX40

CX50

OWNER'S MANUAL

USER MANUAL

Welcome to use our portable fridge . Please read this manual carefully before using your unit.

Item	Page
Features	2
Safety instructions	2
The function and operation setting	2-3
FAQ	4
Food storage	4
Defrosting	5
Care and cleaning	5
Following situations are normal	5
Technical Specification	6
Disposal	6
Packing List	6

1. Features:

- High efficiency DC inverter compressor and conversion module with high reliability and long life.
- Fluoride-free insulation with good heat preservation performance and low energy consumption.
- 12/24VDC and 110~240VAC power supply, allow use in the car or at home.
- Compressor delay protection
- Quick cooling to -20°C (based on 25°C ambient temperature).
- Intelligent car battery protection system.
- Wide range electronic temperature control.

2. Safety instructions

——Warning: Do not attempt or continue to operate your unit if it is wet. The installation of the DC power source in the boat should be handled by the qualified personnel.

——Make sure the voltage is within the correct range for socket and cable being used. The technical data label on the side of the unit shows the voltage ranges.

——No electrical devices inside the refrigerator as they may be damaged.

——During transportation, slope less than 45° and handle carefully.

——Your unit requires good ventilation, allow the following free space for the air circulation:

Back: 200mm

Side: 100mm

——The unit must be placed in dry and ventilated place which is far from heat source (such as stove, flue) and avoid direct sun-shine.

——It is recommended to operate the unit on a flat surface. Maximum operation angle is 30°.

——One piece inner tank allows water filled, but doesn't allow pouring out water by inverting the unit. Keep the shells of the unit drying after rained. Not allow dumping the unit in the water.

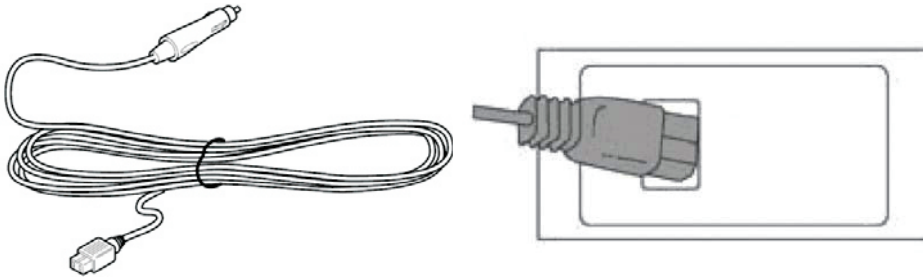
——Although the units has been cleaned before leaving factory, we strongly recommend to use soft cloth dampened with warm water and a little neutral detergent to clean it again, after that wipe it with dry soft cloth. (Warning: Electrical parts can be wiped by dry cloth only)

——Warning: Do not allow children to play games with the fridge such as climbing or standing in the refrigerator. They could damage the fridge and seriously injure themselves.

3. The function and operation setting.

3.1 Power supply: 12/24V DC or 110~240V AC (by adapter) .

3.2 Power cable connection:



3.3 Operation setting:

—ON/OFF: Plug in ; press the ON/OFF button to start the unit. Press the ON/OFF button again, the unit is turn off.

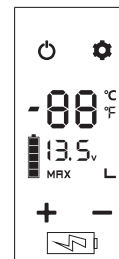
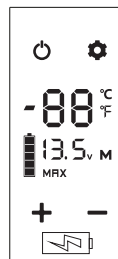
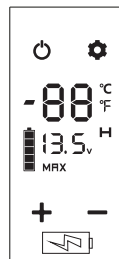
—Press the button Δ UP or ∇ DOWN button to adjust target temperature. Press the button Δ to increase or the button ∇ to decrease the temperature.

—Press set  button to enter the economy running mode:

1.ECO(Energy-saving mode)

2.MAX(Fast cooling mode)

Factory Default is MAX code



When the unit is connected to the car, we suggest setting the battery protection to (H) level. (M) and (L) are suggested when the unit is connected to the backup battery. Different car may have different power output voltage. If the voltage protection display (F1 display in the LED), then setting the battery protection from(H) to (M)or (L).

Most cars will stop power supply if engine is stopped. But some cars will continue power supply even engine is stopped. If your refrigerator is still working when the engine of the car is stopped, you should adjust the battery protection to (H), otherwise, the power of your car battery may run out and your car battery may not have enough power to start car.

4. FAQ

- The appliance is out of working:
 - Check the power supply connection
 - Whether the plug and the socket have a good connection.
 - Whether the fuse has been burned out.
 - Whether the appliance has been turned on
 - Whether the compressor is in delay start protection when the appliance is starting up.
- The food inside is frozen:
 - The setting temperature is too low.
- Hear the sound of water from the inside place.
 - It is normal, due to the flow of refrigerant.
- Display F1 code
 - Low power protection, setting the protection from H3 (H) to H2 (M) or H1 (L)
- Display F2 code
 - Fan overload protection, turn off the unit and restart the unit after 30 minutes. If the F2 is still displayed, please contact the after-sales person.
- Display F3 code
 - The compressor protection is activated. Please turn off the unit and restart the unit after 30 minutes. If the F3 is still displayed, please contact the after-sales person.
- Display F5 code
 - Compressor controller module protection is activated. Please turn off the unit, keep it at ventilated place and restart the unit after 30 minutes. If the F5 code is still displayed, please contact the after-sales person.
- Display F7/F8 code
 - Temperature sensor error. Please restart the unit. If the F7/F8 code is still displayed, please contact the after-sales person.

5. Food storage

- Freezer (below -20°C)
 - Meat should be cut and wrapped tightly, and then averagely placed in the freezer.
 - After buying frozen food, put it in the freezer as soon as it is still in frozen condition.
 - Do not put the fresh food and frozen food together.
 - Do not put the fruit and vegetable in the freezer to avoid freeze-drying.
 - Do not put the glass container or other container with sealed liquid in freezer. Or there is a possibility of explosion.
- Refrigerator (0°C ~10°C)
 - Eggs, butter, milk and bottled drinks can be put in refrigerator.
 - Fruit and vegetables should be put in the crisper for moisture retaining.
 - Hot food should be cooled down before it's placed in, which could help to save power.
 - Food must be packed into fresh keeping bags. Leaving space between packaged foods to keep the circulation of cool air.

6. Defrosting

- After the refrigerator working for a period, frost could be seen on surfaces in the freezer, which reduces refrigerating effect and increases power consumption. In the case, you need to defrost it.
- Unplug the refrigerator and open the doors, take the food in the refrigerator to cool place. Use defrosting shovel to remove ice and frost (also can just let the door open, then ice and frost will be thawed by the raising temperature). Then use dishtowel to wipe off the ice water. After that, place the food back to the refrigerator and plug in.

Note: Do not use sharp metal tools to defrost which will damage the refrigerator.

7. Care and cleaning

Unplug the fridge before cleaning !

- Use soft cloth dampened with warm water to wipe the inner surfaces and external appearance of the refrigerator.
- Use neutral detergent to clean the heavy stains, and dry with clean soft cloth.
- For long vacation or absences, remove food and unplug the fridge . Clean it and leave the lid open a little. Then place the refrigerator in ventilated place.

NOTE: Do not sprinkle water on the fridge during cleaning because that would reduce the insulating property of electrical components and erode the metal parts.

- Do not use cleansers containing corrosive and deliquescent material (such as scouring powder, bleach, soap powder, alkaline cleansers, benzene, gasoline, acid, hot water and etc.) to clean the appearance panels, door gaskets and plastic parts.

8. Following situations are normal

- The flow of refrigerant through the evaporator may create a boiling or gurgling sound.
- In the raining and high humidity weather, moisture may form on the outside of fridge or door gaskets. You can wipe damp surfaces with dry cloth.
- The temperature on the back panel may be high (particularly in summer) due to heat emission of the condenser.
- The temperature on external surface of the compressor may be high when compressor is working.
- The compressor may cause a high hum or pulsating sound when it is at starting or stopping step.
- It's normal to hear metal hit noise from compressor when fridge is bumped.

9. Technical Specification

MODEL	30/40/50L
CLIMATIC CATEGORY	T/ST/N/SN
PROTECTIVE CLASSIFICATION OF ELECTRIC SHOCK RESISTANCE	III
RATED VOLTAGE DC (V)	12/24V
DC FUSE (A)	15A
TOTAL INPUT POWER (W)	45W
RATED CURRENT FOR DC(A)	3.75A/1.875A
REFRIGERANT (g)	34g/38g/40g
N.W (kg)	11.6kg/12.6kg/13.9kg

10. Guidelines for protection of the environment

DISPOSAL: Do not dispose this product as unsorted municipal waste. Collection of such waste separately for special treatment is necessary.



Meaning of crossed-out wheeled dustbin: Do not dispose of electrical appliances as unsorted municipal waste. Use separate collection facilities.

Contact your local government for information regarding the collection systems available.

If electrical appliances are disposed into landfills or dumps, hazardous substances can leak into the groundwater and get into the food chain, damaging your health and well-being.

11. Packing List

Item Model	Refrigerator	DC power cord	AC adaptor	User's manual
30L	1	1	1	1
40L	1	1	1	1
50L	1	1	1	1